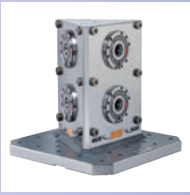


Tombstones



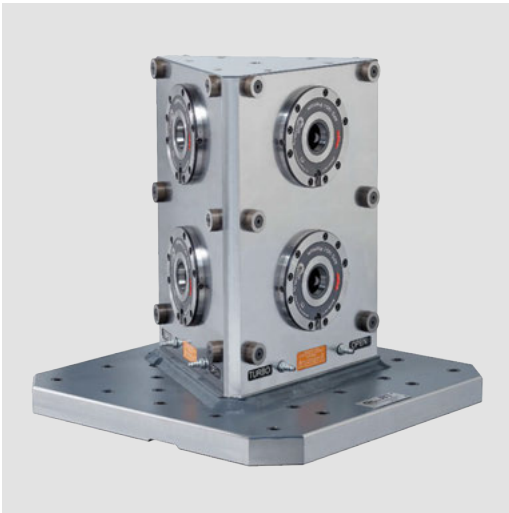
Page 242

RT

Tombstones, angle plates, plates and subplates

- Modular system: Wide range of standard products and shortest delivery times
- Highest stiffness and anti-vibration design
- Best accessibility of the machine spindle to the workpiece
- Highest accuracy and precision

- Modular system
- Highest accuracy and precision



Application/customer benefits

- Modular system: Wide range of standard products and shortest delivery times
- Highest stiffness and anti-vibration design
- Optimal accessibility of the machine spindle to the workpiece
- Highest accuracy and precision
- High quality thread insert bushes used for grid versions

Technical features

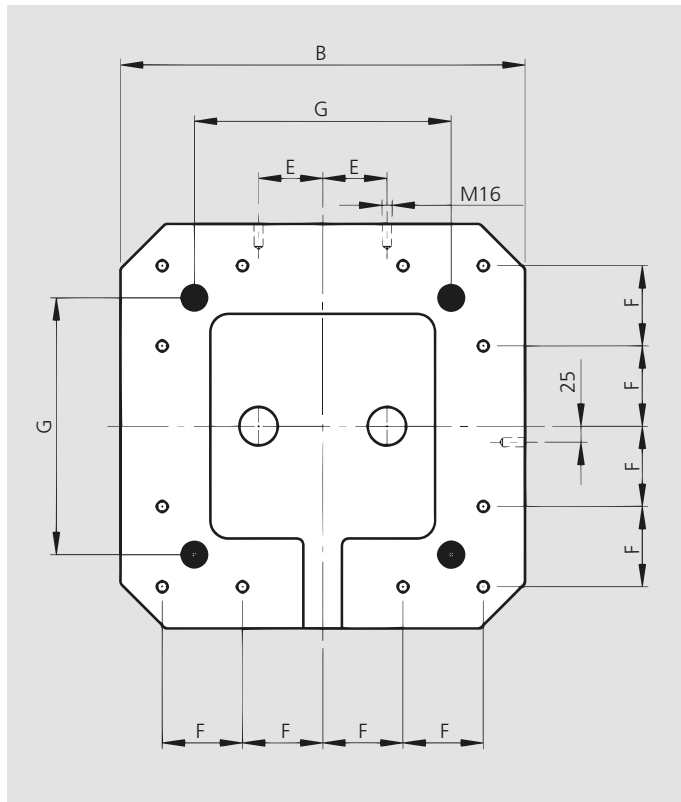
- Steel (optional hardened), aluminium or cast iron
- Suitable for standard machine pallets type DIN 55201 and JIS 6337-1980
- Raw, milled with / without grid bore holes
- Special sizes on request

Overview

| Product picture | Description | Page |
|-----------------|--|------|
| | Dimensions of standard adaptation for machine tools pallet | 243 |
| | Manufacturing tolerances | 243 |
| | Tombstones square | 245 |
| | Tombstones cross | 248 |
| | Tombstones rectangle | 250 |
| | Tombstones triangle | 253 |
| | Tombstones octagon | 254 |
| | Crankwebs | 256 |
| | Angle plates | 260 |
| | Plates | 261 |
| | Subplates | 263 |

- Dimensions of standard adaptation
- Manufacturing tolerances

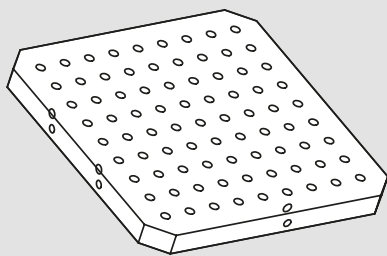
Dimensions of standard adaptation for machine tool pallets



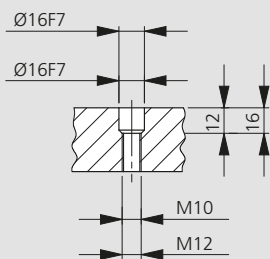
| B [mm] | E [mm] | F [mm] | G [mm] |
|-----------|------------|------------|------------|
| 300 | on request | on request | on request |
| 400 | 55 | 80 | 250 |
| 500 | 75 | 100 | 250 |
| 630 | 100 | 125 | 420 |
| 800 | 135 | 160 | 420 |

Manufacturing tolerances

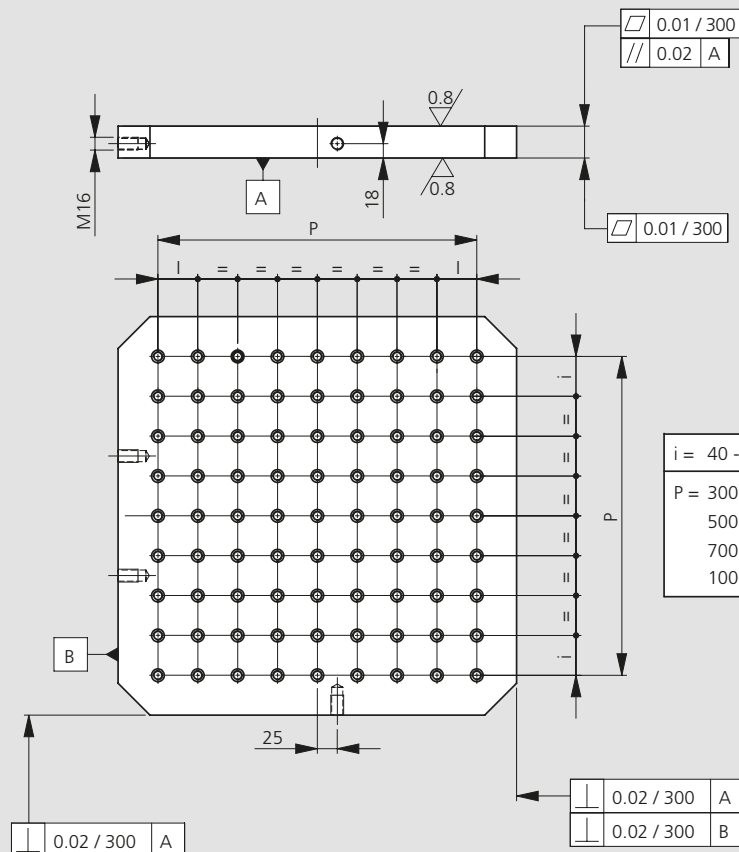
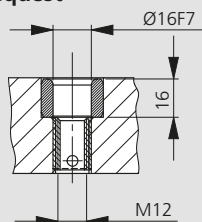
Subject to technical changes.



Standard

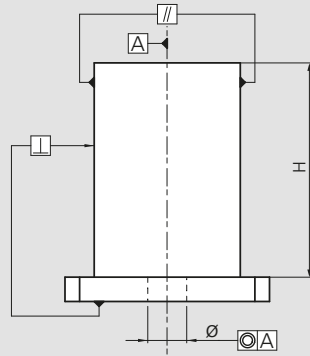


on request



| | |
|----------------|------------|
| i = 40 - 50 mm | ± 0.01 |
| P = 300 mm | ± 0.02 |
| 500 mm | ± 0.03 |
| 700 mm | ± 0.04 |
| 1000 mm | ± 0.05 |

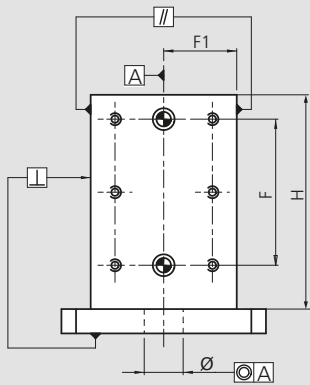
Tombstones milled



| H | ⊥ | // | ⊙ |
|---------|-------|-------|-------|
| 500 mm | 0.020 | 0.020 | 0.020 |
| 1000 mm | 0.035 | 0.035 | 0.035 |

Subject to technical changes.

Tombstones with grid bore holes for plates

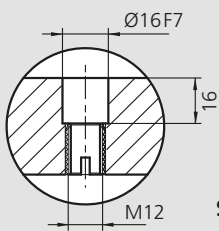


| H | ⊥ | // | ⊙ |
|---------|-------|-------|-------|
| 500 mm | 0.020 | 0.020 | 0.020 |
| 1000 mm | 0.035 | 0.035 | 0.035 |

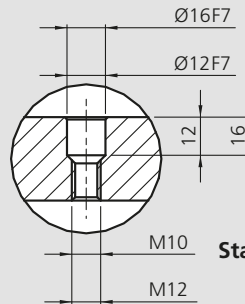
| | | |
|-----|---------|---------|
| F= | 300 mm | ± 0.02 |
| | 500 mm | ± 0.03 |
| | 700 mm | ± 0.04 |
| F1= | 500 mm | ± 0.015 |
| | 1000 mm | ± 0.025 |

Subject to technical changes.

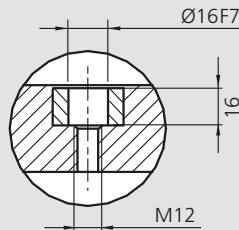
Tombstones with grid bore holes



Standard for cast iron

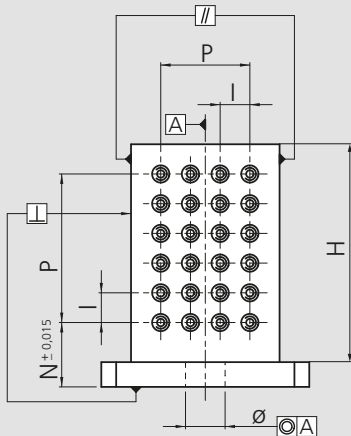


Standard steel and aluminium



Further grid version for aluminium with steel sleeve insert

| H | ⊥ | // | ⊙ |
|---------|-------|-------|-------|
| 500 mm | 0.020 | 0.020 | 0.020 |
| 1000 mm | 0.035 | 0.035 | 0.035 |



Further grid version for cast iron with steel sleeve and thread insert

| | | |
|-----|------------|--------|
| i = | 40 - 50 mm | ± 0.01 |
| P = | 300 mm | ± 0.02 |
| | 500 mm | ± 0.03 |
| | 700 mm | ± 0.04 |
| | 1000 mm | ± 0.05 |

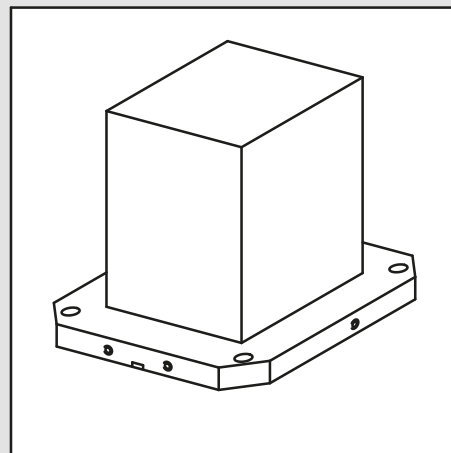
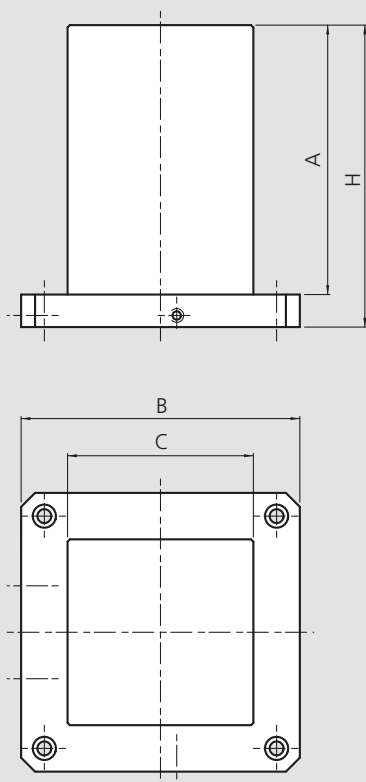
Subject to technical changes.

Tombstones square

RT

- Steel, aluminium or cast iron
- Raw or milled

Subject to technical changes.



Tombstones square – STEEL

| Raw Id. No. | Milled Id. No. | A [mm] | B [mm] | C [mm] | H [mm] | Weight [kg] |
|-------------|----------------|--------|--------|--------|--------|-------------|
| 57006006 | 57006005 | 415 | 300 | 160 | 455 | 81 |
| 57006036 | 57006035 | 620 | 400 | 250 | 660 | 205 |
| 57006056 | 57006055 | 660 | 500 | 350 | 700 | 318 |
| 57006091 | 57006090 | 815 | 630 | 450 | 860 | 524 |
| 57006121 | 57006120 | 945 | 800 | 550 | 1000 | 795 |

Tombstones square – ALUMINIUM

| Id. No. | A [mm] | B [mm] | C [mm] | H [mm] | Weight [kg] |
|----------|--------|--------|--------|--------|-------------|
| 57306035 | 620 | 400 | 250 | 660 | 80 |
| 57306055 | 660 | 500 | 350 | 700 | 137 |
| 57306090 | 815 | 630 | 450 | 860 | 253 |

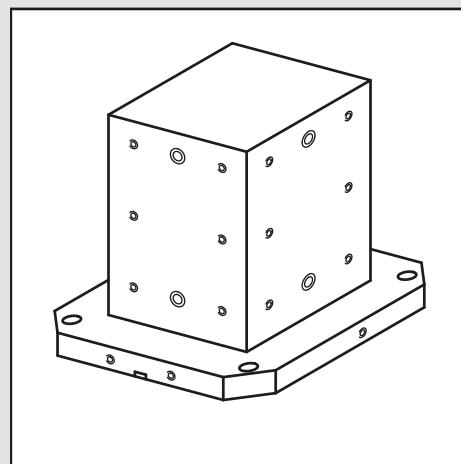
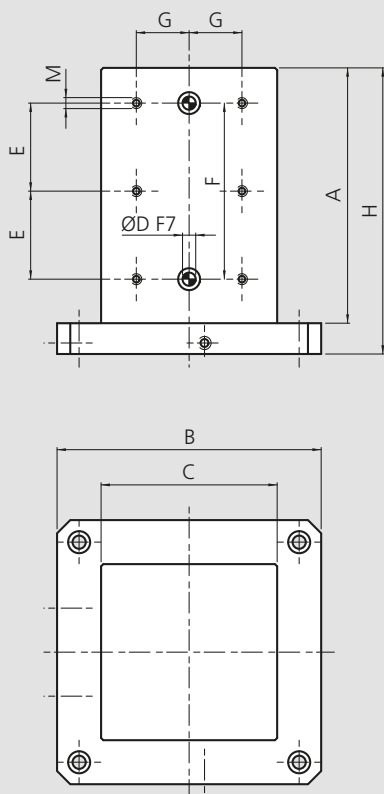
Tombstones square – CAST IRON

| Raw Id. No. | Milled Id. No. | A [mm] | B [mm] | C [mm] | H [mm] | Weight [kg] |
|-------------|----------------|--------|--------|--------|--------|-------------|
| 57406036 | 57406035 | 615 | 400 | 250 | 660 | 208 |
| 57406056 | 57406055 | 655 | 500 | 350 | 700 | 329 |
| 57406091 | 57406090 | 810 | 630 | 450 | 860 | 607 |
| 57406121 | 57406120 | 945 | 800 | 550 | 1000 | 808 |

Special sizes on request.

- Steel, aluminium or cast iron
- With grid bore holes for plates

Subject to technical changes.



Tombstones square – STEEL

| Id. No. | A [mm] | B [mm] | C [mm] | H [mm] | Ø D [mm] | M | E [mm] | F [mm] | G [mm] | Weight [kg] |
|----------|-----------|-----------|-----------|-----------|-------------|-----|-----------|-----------|-----------|----------------|
| 57020015 | 415 | 300 | 160 | 455 | 12 | M10 | 150 | 300 | 40 | 81 |
| 57020045 | 620 | 400 | 250 | 660 | 16 | M12 | 250 | 500 | 75 | 205 |
| 57020065 | 660 | 500 | 350 | 700 | 16 | M12 | 250 | 500 | 125 | 318 |
| 57020100 | 815 | 630 | 450 | 860 | 16 | M12 | 350 | 700 | 175 | 524 |
| 57020130 | 945 | 800 | 550 | 1000 | 16 | M12 | 400 | 800 | 225 | 795 |

Tombstones square – ALUMINIUM

| Id. No. | A [mm] | B [mm] | C [mm] | H [mm] | Ø D [mm] | M | E [mm] | F [mm] | G [mm] | Weight [kg] |
|----------|-----------|-----------|-----------|-----------|-------------|-----|-----------|-----------|-----------|----------------|
| 57312045 | 620 | 400 | 250 | 660 | 16 | M12 | 250 | 500 | 75 | 80 |
| 57312065 | 660 | 500 | 350 | 700 | 16 | M12 | 250 | 500 | 125 | 137 |
| 57312100 | 815 | 630 | 450 | 860 | 16 | M12 | 350 | 700 | 175 | 253 |

Tombstones square – CAST IRON

| Id. No. | A [mm] | B [mm] | C [mm] | H [mm] | Ø D [mm] | M | E [mm] | F [mm] | G [mm] | Weight [kg] |
|----------|-----------|-----------|-----------|-----------|-------------|-----|-----------|-----------|-----------|----------------|
| 57412045 | 615 | 400 | 250 | 660 | 16 | M12 | 250 | 500 | 75 | 208 |
| 57412065 | 655 | 500 | 350 | 700 | 16 | M12 | 250 | 500 | 125 | 329 |
| 57412100 | 810 | 630 | 450 | 860 | 16 | M12 | 350 | 700 | 175 | 607 |
| 57412130 | 945 | 800 | 550 | 1000 | 16 | M12 | 400 | 800 | 225 | 808 |

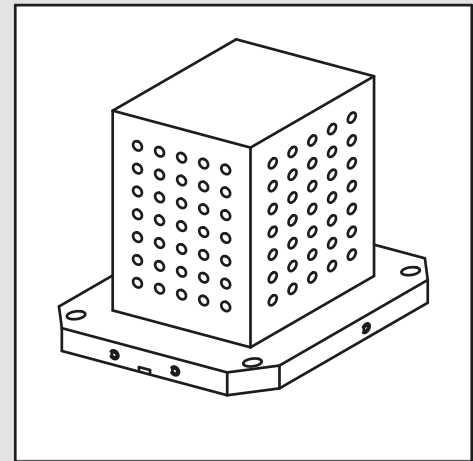
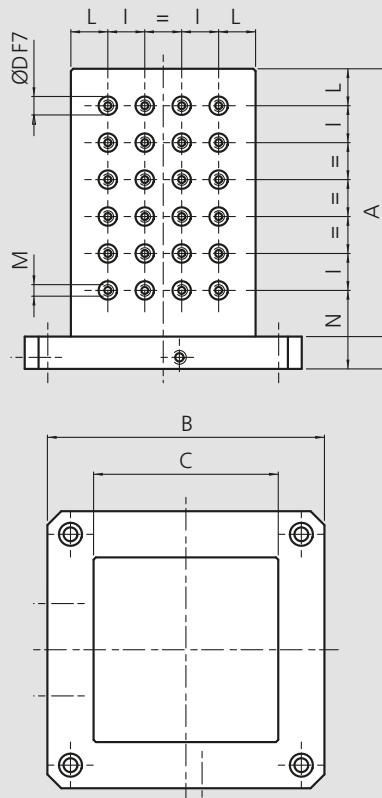
Special sizes on request.

Tombstones square

RT

- Steel, aluminium or cast iron
- With grid bore holes for plates

Subject to technical changes.



Tombstones square – STEEL

| Id. No. | A [mm] | B [mm] | C [mm] | H [mm] | Ø D [mm] | M | I [mm] | L [mm] | N [mm] | Weight [kg] |
|----------|-----------|-----------|-----------|-----------|-------------|-----|-----------|-----------|-----------|----------------|
| 57030015 | 415 | 300 | 160 | 455 | 12 | M10 | 40 | 40 | 95 | 79 |
| 57030045 | 620 | 400 | 250 | 660 | 16 | M12 | 50 | 50 | 110 | 198 |
| 57030065 | 660 | 500 | 350 | 700 | 16 | M12 | 50 | 50 | 100 | 307 |
| 57030100 | 815 | 630 | 450 | 860 | 16 | M12 | 50 | 50 | 110 | 506 |
| 57030130 | 945 | 800 | 550 | 1000 | 16 | M12 | 50 | 50 | 100 | 768 |

Tombstones square – ALUMINIUM

| Id. No. | A [mm] | B [mm] | C [mm] | H [mm] | Ø D [mm] | M | I [mm] | L [mm] | N [mm] | Weight [kg] |
|----------|-----------|-----------|-----------|-----------|-------------|-----|-----------|-----------|-----------|----------------|
| 57313045 | 620 | 400 | 250 | 660 | 16 | M12 | 50 | 50 | 110 | 78 |
| 57313065 | 660 | 500 | 350 | 700 | 16 | M12 | 50 | 50 | 100 | 133 |
| 57313100 | 815 | 630 | 450 | 860 | 16 | M12 | 50 | 50 | 110 | 246 |

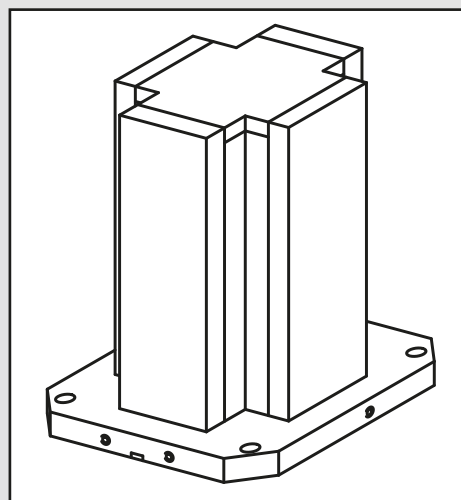
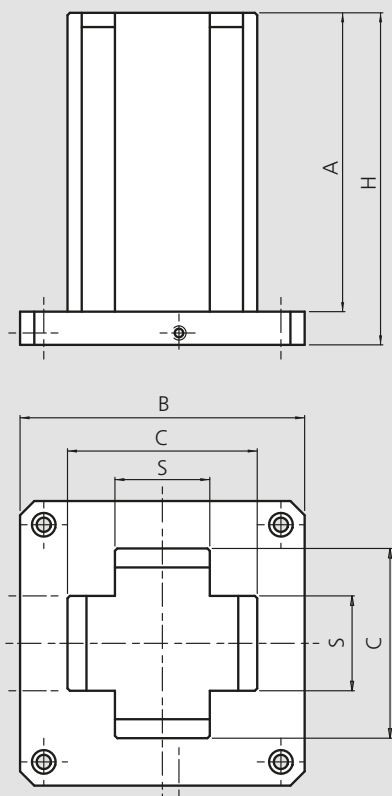
Tombstones square – CAST IRON

| Id. No. | A [mm] | B [mm] | C [mm] | H [mm] | Ø D [mm] | M | I [mm] | L [mm] | N [mm] | Weight [kg] |
|----------|-----------|-----------|-----------|-----------|-------------|-----|-----------|-----------|-----------|----------------|
| 57413045 | 615 | 400 | 250 | 660 | 16 | M12 | 50 | 50 | 110 | 208 |
| 57413065 | 655 | 500 | 350 | 700 | 16 | M12 | 50 | 50 | 100 | 329 |
| 57413100 | 810 | 630 | 450 | 860 | 16 | M12 | 50 | 50 | 110 | 522 |
| 57413130 | 945 | 800 | 550 | 1000 | 16 | M12 | 50 | 50 | 100 | 808 |

Special sizes on request.

- Steel, aluminium
- Milled

Subject to technical changes.



Tombstones cross – STEEL

| Id. No. | A [mm] | B [mm] | C [mm] | H [mm] | S [mm] | Weight [kg] |
|----------|--------|--------|--------|--------|--------|-------------|
| 57061010 | 540 | 400 | 300 | 580 | 150 | 208 |
| 57061015 | 540 | 500 | 300 | 580 | 150 | 236 |
| 57061020 | 795 | 630 | 550 | 840 | 150 | 451 |
| 57061025 | 625 | 500 | 350 | 670 | 200 | 296 |
| 57061030 | 625 | 630 | 350 | 670 | 200 | 356 |
| 57061035 | 650 | 400 | 250 | 690 | 100 | 142 |
| 57061040 | 650 | 500 | 300 | 690 | 100 | 187 |

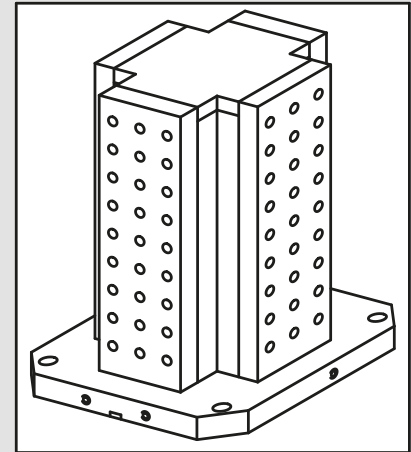
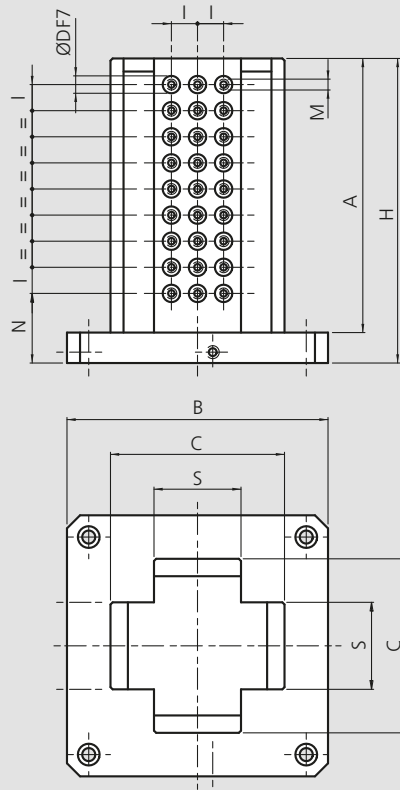
Tombstones cross – ALUMINIUM

| Id. No. | A [mm] | B [mm] | C [mm] | H [mm] | S [mm] | Weight [kg] |
|----------|--------|--------|--------|--------|--------|-------------|
| 57316110 | 540 | 400 | 300 | 580 | 150 | 82 |
| 57316115 | 540 | 500 | 300 | 580 | 150 | 92 |
| 57316135 | 650 | 400 | 250 | 690 | 100 | 79 |
| 57316140 | 650 | 500 | 250 | 690 | 100 | 88 |

Special sizes on request.

- Steel, aluminium
- With grid bore holes for plates

Subject to technical changes.



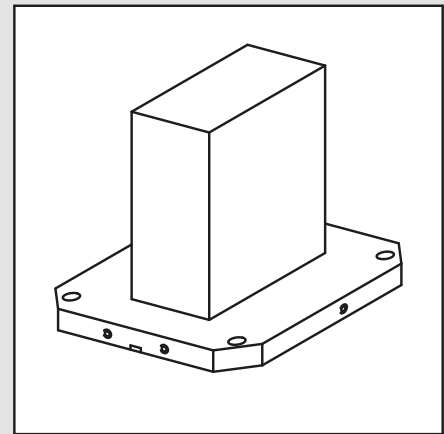
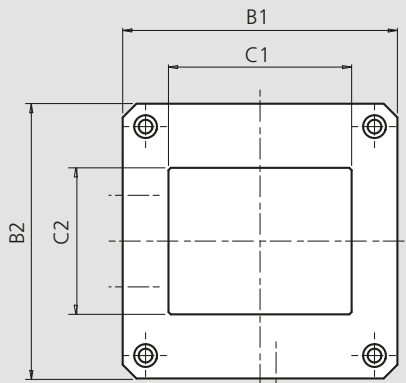
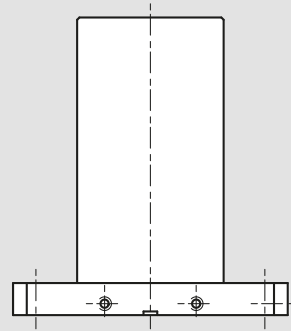
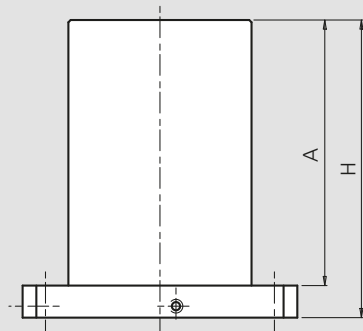
Tombstones cross – STEEL

| Id. No. | A [mm] | B [mm] | C [mm] | H [mm] | Ø D [mm] | M | I [mm] | N [mm] | S [mm] | Weight [kg] |
|----------|--------|--------|--------|--------|----------|-----|--------|--------|--------|-------------|
| 57060010 | 540 | 400 | 300 | 580 | 16 | M12 | 50 | 85 | 150 | 208 |
| 57060015 | 540 | 500 | 300 | 580 | 16 | M12 | 50 | 85 | 150 | 236 |
| 57060020 | 795 | 630 | 550 | 840 | 16 | M12 | 50 | 100 | 150 | 451 |
| 57060025 | 625 | 500 | 350 | 670 | 16 | M12 | 50 | 120 | 200 | 296 |
| 57060030 | 625 | 630 | 350 | 670 | 16 | M12 | 50 | 120 | 200 | 356 |

Tombstones cross – ALUMINIUM

| Id. No. | A [mm] | B [mm] | C [mm] | H [mm] | Ø D [mm] | M | I [mm] | N [mm] | S [mm] | Weight [kg] |
|----------|--------|--------|--------|--------|----------|-----|--------|--------|--------|-------------|
| 57316010 | 540 | 400 | 300 | 580 | 16 | M12 | 50 | 85 | 150 | 82 |
| 57316015 | 540 | 500 | 300 | 580 | 16 | M12 | 50 | 85 | 150 | 92 |

Special sizes on request.



Tombstones rectangle cube – STEEL

| Id. No. | A [mm] | B1 [mm] | B2 [mm] | C1 [mm] | C2 [mm] | H [mm] | Weight [kg] |
|----------|--------|---------|---------|---------|---------|--------|-------------|
| 57007005 | 615 | 500 | 400 | 350 | 250 | 655 | 250 |
| 57007010 | 615 | 500 | 500 | 350 | 250 | 655 | 265 |
| 57007025 | 615 | 630 | 500 | 450 | 350 | 660 | 367 |
| 57007030 | 615 | 630 | 630 | 450 | 350 | 660 | 395 |

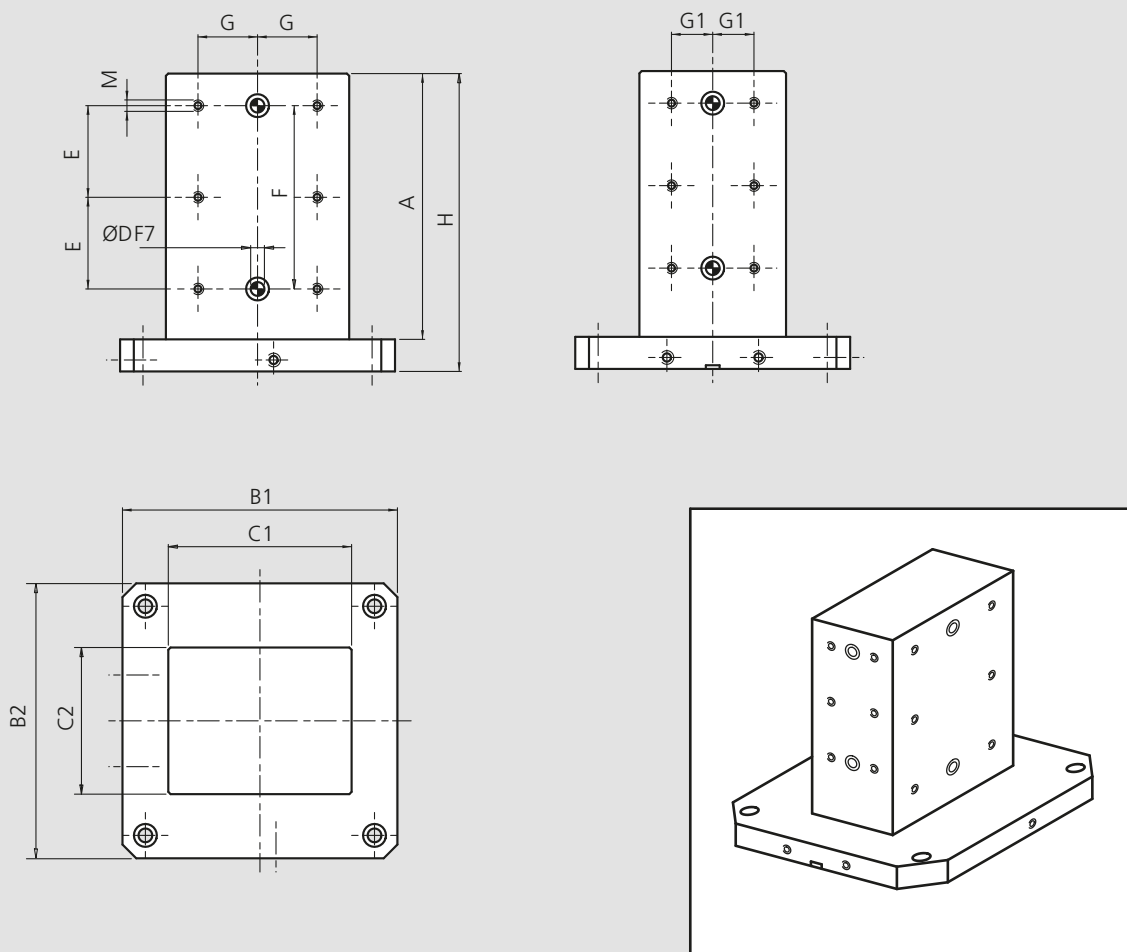
Special sizes on request.

Tombstones rectangle cube

RT

- Steel
- With grid bore hole for plates

Subject to technical changes.



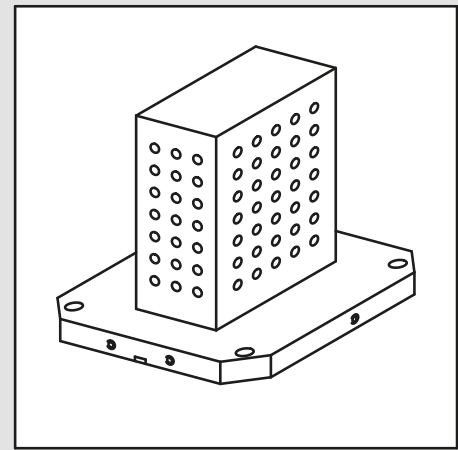
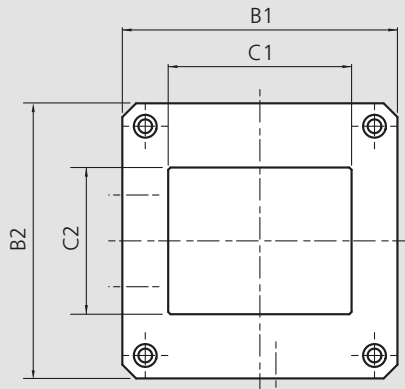
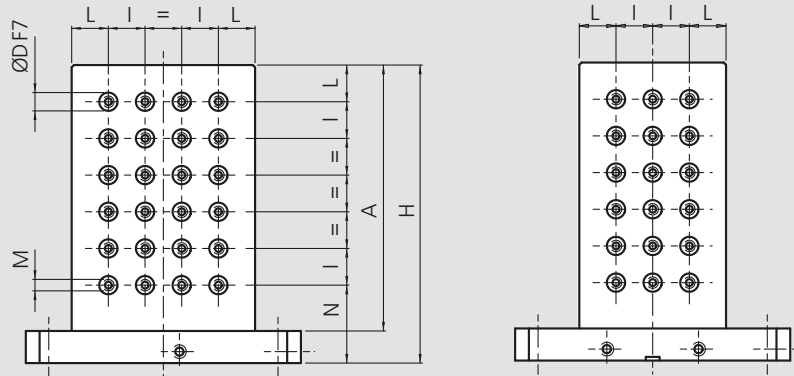
Tombstones rectangle cube – STEEL

| Id. No. | A [mm] | B1 [mm] | B2 [mm] | C1 [mm] | C2 [mm] | H [mm] | Ø D [mm] | M | E [mm] | F [mm] | G [mm] | G1 [mm] | Weight [kg] |
|----------|-----------|------------|------------|------------|------------|-----------|-------------|-----|-----------|-----------|-----------|------------|----------------|
| 57070015 | 615 | 500 | 400 | 350 | 250 | 655 | 16 | M12 | 250 | 500 | 125 | 75 | 250 |
| 57070020 | 615 | 500 | 500 | 350 | 250 | 655 | 16 | M12 | 250 | 500 | 125 | 75 | 265 |
| 57070035 | 615 | 630 | 500 | 450 | 350 | 660 | 16 | M12 | 250 | 500 | 175 | 125 | 367 |
| 57070040 | 615 | 630 | 630 | 450 | 350 | 660 | 16 | M12 | 250 | 500 | 175 | 125 | 395 |

Special sizes on request.

- Steel
- With grid bore hole

Subject to technical changes.



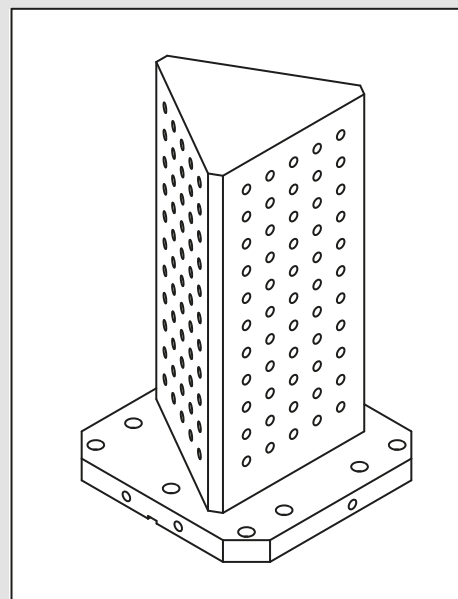
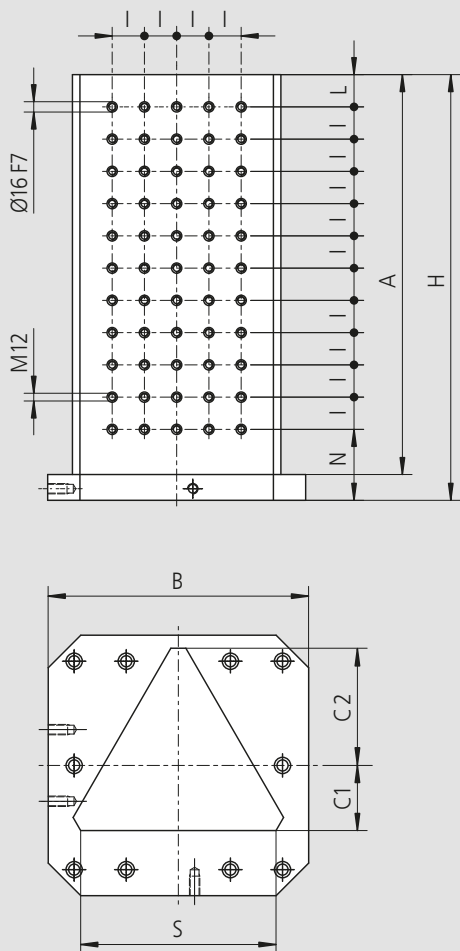
Tombstones rectangle cube – STEEL

| Id. No. | A [mm] | B1 [mm] | B2 [mm] | C1 [mm] | C2 [mm] | H [mm] | Ø D [mm] | M | I [mm] | L [mm] | N [mm] | Weight [kg] |
|----------|--------|---------|---------|---------|---------|--------|----------|-----|--------|--------|--------|-------------|
| 57080015 | 615 | 500 | 400 | 350 | 250 | 655 | 16 | M12 | 50 | 50 | 105 | 242 |
| 57080020 | 615 | 500 | 500 | 350 | 250 | 655 | 16 | M12 | 50 | 50 | 105 | 257 |
| 57080035 | 615 | 630 | 500 | 450 | 350 | 660 | 16 | M12 | 50 | 50 | 110 | 355 |
| 57080040 | 615 | 630 | 630 | 450 | 350 | 660 | 16 | M12 | 50 | 50 | 110 | 383 |

Special sizes on request.

- Steel
- With grid bore holes

Subject to technical changes.



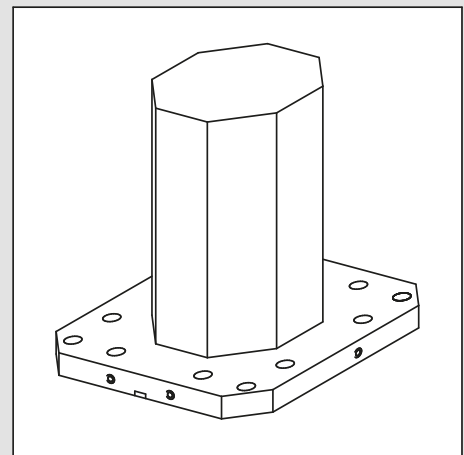
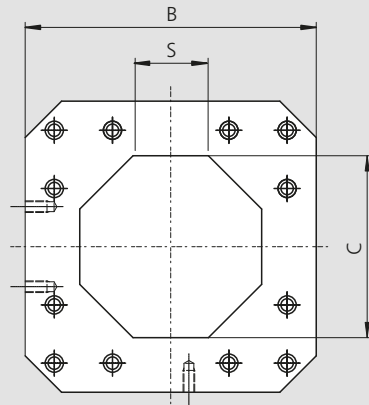
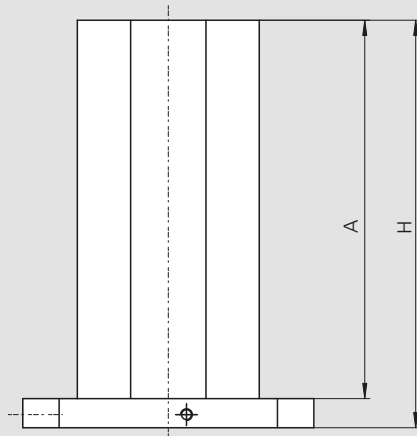
Tombstones triangle tower – STEEL

| Id. No. | A [mm] | B [mm] | C1 [mm] | C2 [mm] | H [mm] | I [mm] | L [mm] | N [mm] | S [mm] | Weight [kg] |
|----------|--------|--------|---------|---------|--------|--------|--------|--------|--------|-------------|
| 57171010 | 620 | 400 | 100 | 180 | 660 | 50 | 50 | 110 | 300 | 200 |
| 57171020 | 620 | 500 | 100 | 180 | 660 | 50 | 50 | 110 | 300 | 227 |

Special sizes on request.

- Steel or aluminium
- Milled

Subject to technical changes.



Tombstones octagon tower – STEEL

| Id. No. | A [mm] | B [mm] | C [mm] | H [mm] | S [mm] | Weight [kg] |
|----------|-----------|-----------|-----------|-----------|-----------|----------------|
| 57004000 | 650 | 400 | 250 | 690 | 100 | 185 |
| 57004010 | 650 | 500 | 250 | 690 | 100 | 213 |
| 57004020 | 650 | 630 | 380 | 690 | 155 | 351 |

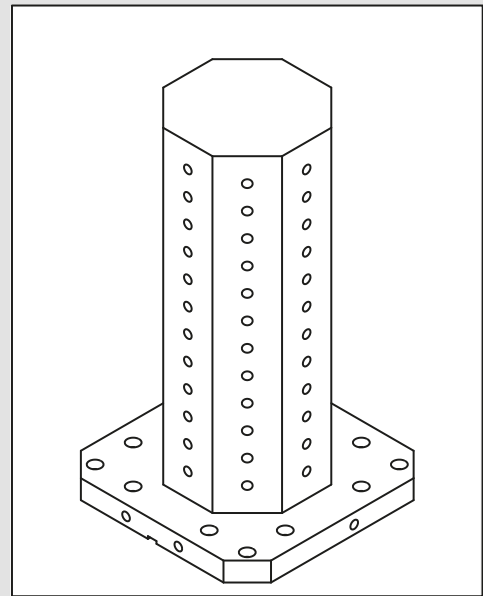
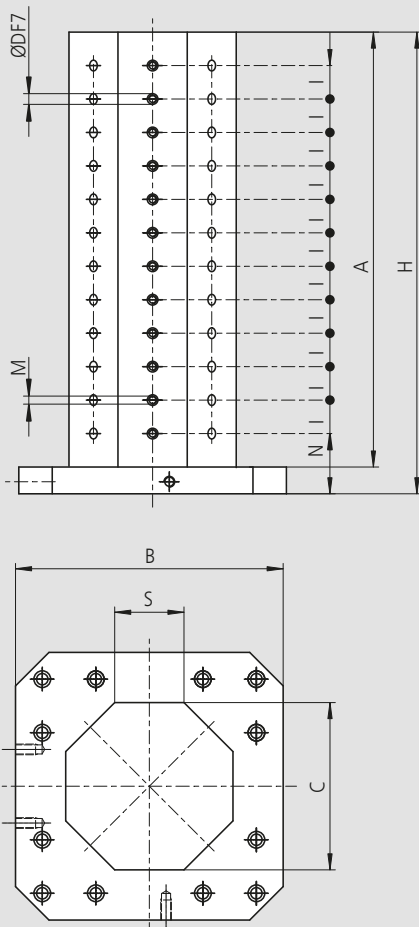
Tombstones octagon tower – ALUMINIUM

| Id. No. | A [mm] | B [mm] | C [mm] | H [mm] | S [mm] | Weight [kg] |
|----------|-----------|-----------|-----------|-----------|-----------|----------------|
| 57304000 | 650 | 400 | 250 | 690 | 100 | 79 |
| 57304010 | 650 | 500 | 250 | 690 | 100 | 88 |
| 57304020 | 650 | 630 | 380 | 690 | 155 | 138 |

Special sizes on request.

- Steel and aluminium
- With grid bore holes

Subject to technical changes.



Tombstones octagon tower – STEEL

| Id. No. | A [mm] | B [mm] | C [mm] | H [mm] | Ø D [mm] | M | I [mm] | N [mm] | S [mm] | Weight [kg] |
|----------|-----------|-----------|-----------|-----------|-------------|-----|-----------|-----------|-----------|----------------|
| 57173010 | 650 | 400 | 250 | 690 | 16 | M12 | 50 | 90 | 100 | 181 |
| 57173020 | 650 | 500 | 250 | 690 | 16 | M12 | 50 | 90 | 100 | 209 |
| 57173030 | 650 | 630 | 380 | 690 | 16 | M12 | 50 | 90 | 155 | 339 |

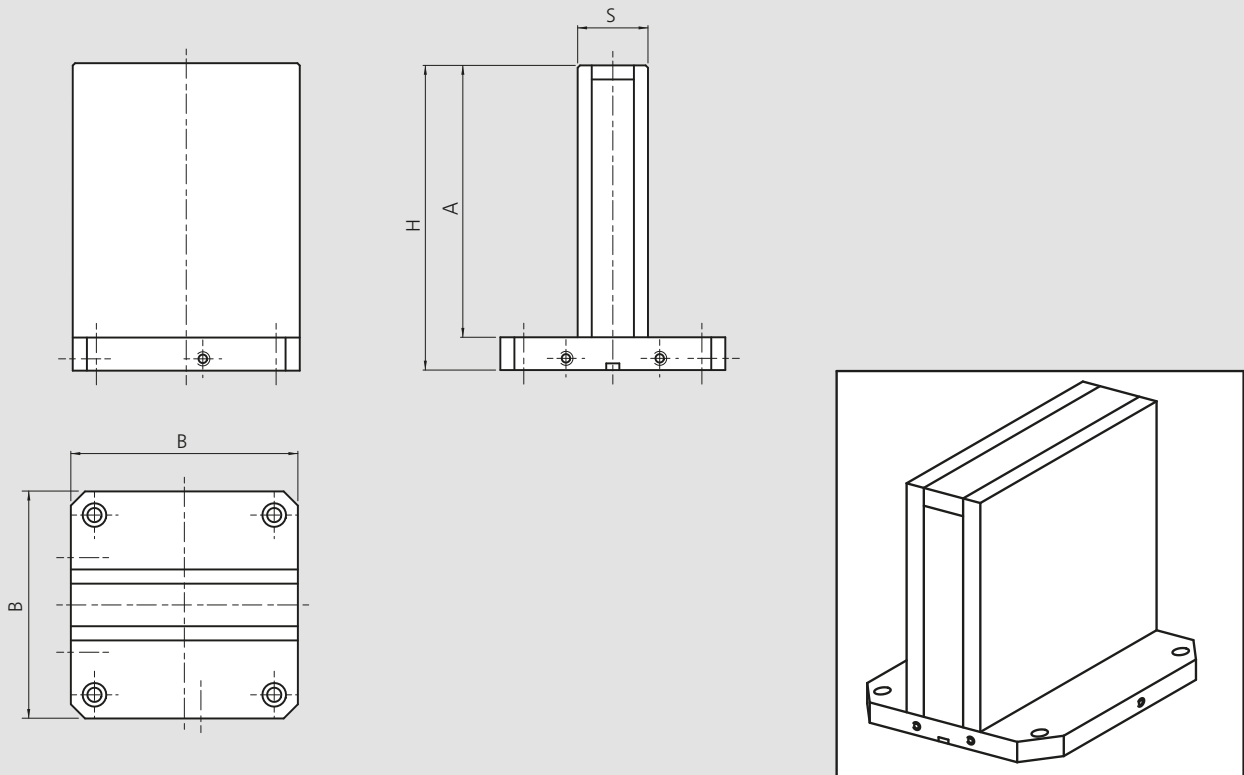
Tombstones octagon tower – ALUMINIUM

| Id. No. | A [mm] | B [mm] | C [mm] | H [mm] | Ø D [mm] | M | I [mm] | N [mm] | S [mm] | Weight [kg] |
|----------|-----------|-----------|-----------|-----------|-------------|-----|-----------|-----------|-----------|----------------|
| 57336010 | 650 | 400 | 250 | 690 | 16 | M12 | 50 | 90 | 100 | 78 |
| 57336020 | 650 | 500 | 250 | 690 | 16 | M12 | 50 | 90 | 100 | 87 |
| 57336030 | 650 | 630 | 380 | 690 | 16 | M12 | 50 | 90 | 155 | 136 |

Special sizes on request.

- Steel, aluminium or cast iron
- Raw or milled

Subject to technical changes.



Crankweb – STEEL

| Raw Id. No. | Milled Id. No. | A [mm] | B [mm] | H [mm] | S [mm] | Weight [kg] |
|-------------|----------------|--------|--------|--------|--------|-------------|
| 57009026 | 57009025 | 620 | 400 | 660 | 150 | 212 |
| 57009046 | 57009045 | 660 | 500 | 700 | 150 | 287 |
| 57009066 | 57009065 | 815 | 630 | 860 | 200 | 482 |
| 57009091 | 57009090 | 945 | 800 | 1000 | 260 | 810 |

Crankweb – ALUMINIUM

| Id. No. | A [mm] | B [mm] | H [mm] | S [mm] | Weight [kg] |
|----------|--------|--------|--------|--------|-------------|
| 57309025 | 620 | 400 | 660 | 150 | 77 |
| 57309045 | 660 | 500 | 700 | 150 | 103 |
| 57309065 | 815 | 630 | 860 | 200 | 172 |

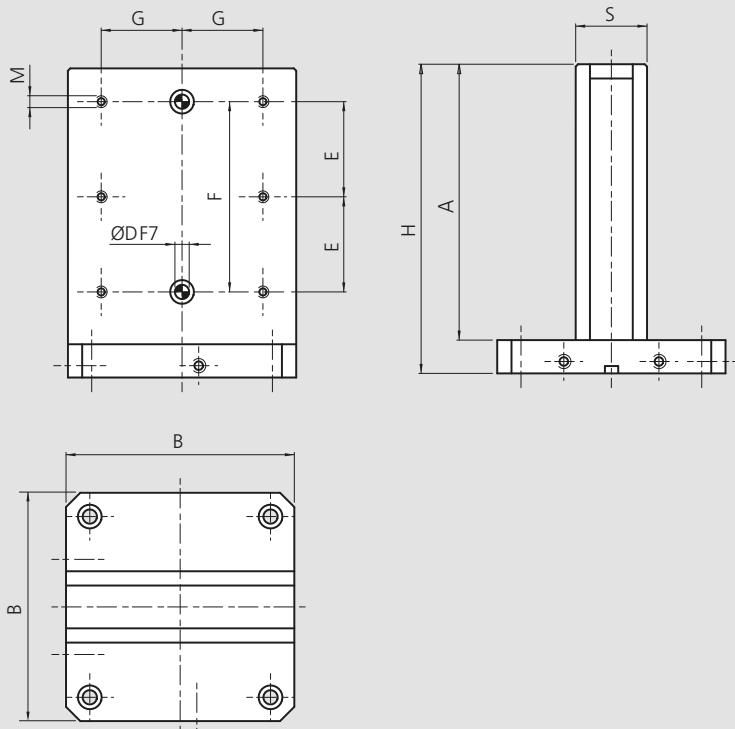
Crankweb – CAST IRON

| Raw Id. No. | Milled Id. No. | A [mm] | B [mm] | H [mm] | S [mm] | Weight [kg] |
|-------------|----------------|--------|--------|--------|--------|-------------|
| 57409026 | 57409025 | 615 | 400 | 660 | 150 | 185 |
| 57409046 | 57409045 | 655 | 500 | 700 | 150 | 247 |
| 57409066 | 57409065 | 810 | 630 | 860 | 200 | 448 |
| 57409091 | 57409090 | 945 | 800 | 1000 | 300 | 810 |

Special sizes on request.

- Steel, aluminium or cast iron
- For plates

Subject to technical changes.



Crankweb – STEEL

| Id. No. | A [mm] | B [mm] | H [mm] | Ø D [mm] | M | E [mm] | F [mm] | G [mm] | S [mm] | Weight [kg] |
|----------|--------|--------|--------|----------|-----|--------|--------|--------|--------|-------------|
| 57041035 | 620 | 400 | 660 | 16 | M12 | 250 | 500 | 150 | 150 | 212 |
| 57041055 | 660 | 500 | 700 | 16 | M12 | 250 | 500 | 200 | 150 | 287 |
| 57041075 | 815 | 630 | 860 | 16 | M12 | 350 | 700 | 250 | 200 | 482 |
| 57041100 | 945 | 800 | 1000 | 16 | M12 | 100 | 800 | 350 | 260 | 810 |

Crankweb – ALUMINIUM

| Id. No. | A [mm] | B [mm] | H [mm] | Ø D [mm] | M | E [mm] | F [mm] | G [mm] | S [mm] | Weight [kg] |
|----------|--------|--------|--------|----------|-----|--------|--------|--------|--------|-------------|
| 57328035 | 620 | 400 | 660 | 16 | M12 | 250 | 500 | 150 | 150 | 77 |
| 57328055 | 660 | 500 | 700 | 16 | M12 | 250 | 500 | 200 | 150 | 103 |
| 57328075 | 815 | 630 | 860 | 16 | M12 | 350 | 700 | 250 | 200 | 180 |

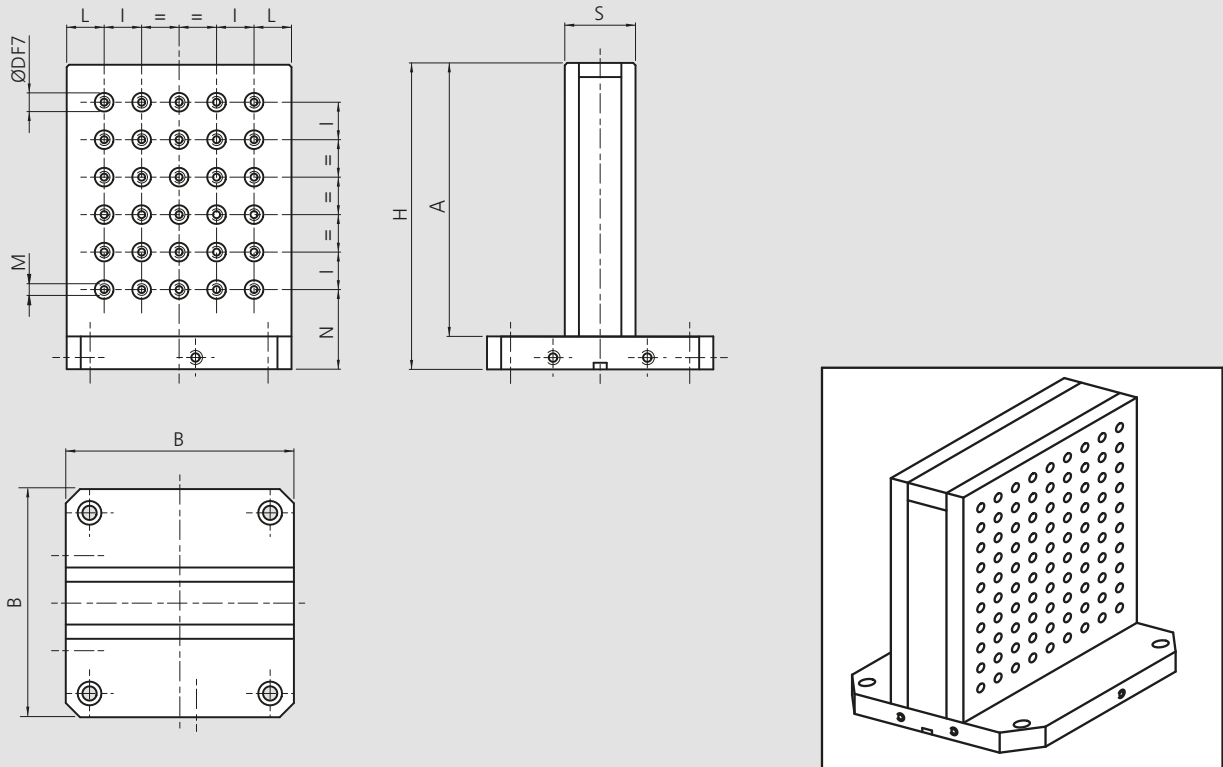
Crankweb – CAST IRON

| Id. No. | A [mm] | B [mm] | H [mm] | Ø D [mm] | M | E [mm] | F [mm] | G [mm] | S [mm] | Weight [kg] |
|----------|--------|--------|--------|----------|-----|--------|--------|--------|--------|-------------|
| 57428035 | 615 | 400 | 660 | 16 | M12 | 250 | 500 | 150 | 150 | 185 |
| 57428055 | 655 | 500 | 700 | 16 | M12 | 250 | 500 | 200 | 150 | 247 |
| 57428075 | 810 | 630 | 860 | 16 | M12 | 350 | 700 | 250 | 200 | 448 |
| 57428100 | 945 | 800 | 1000 | 16 | M12 | 400 | 800 | 350 | 300 | 810 |

Special sizes on request.

- Steel, aluminium or cast iron
- With grid bore holes

Subject to technical changes.



Crankweb – STEEL

| Id. No. | A [mm] | B [mm] | H [mm] | Ø D [mm] | M | I [mm] | L [mm] | N [mm] | S [mm] | Weight [kg] |
|----------|--------|--------|--------|----------|-----|--------|--------|--------|--------|-------------|
| 57040035 | 620 | 400 | 660 | 16 | M12 | 50 | 50 | 110 | 150 | 206 |
| 57040055 | 660 | 500 | 700 | 16 | M12 | 50 | 50 | 100 | 150 | 279 |
| 57040075 | 815 | 630 | 860 | 16 | M12 | 50 | 40 | 110 | 200 | 468 |
| 57040100 | 945 | 800 | 1000 | 16 | M12 | 50 | 50 | 100 | 260 | 787 |

Crankweb – ALUMINIUM

| Id. No. | A [mm] | B [mm] | H [mm] | Ø D [mm] | M | I [mm] | L [mm] | N [mm] | S [mm] | Weight [kg] |
|----------|--------|--------|--------|----------|-----|--------|--------|--------|--------|-------------|
| 57314035 | 620 | 400 | 660 | 16 | M12 | 50 | 50 | 110 | 150 | 74 |
| 57314055 | 660 | 500 | 700 | 16 | M12 | 50 | 50 | 100 | 150 | 100 |
| 57314075 | 815 | 630 | 860 | 16 | M12 | 50 | 40 | 110 | 200 | 170 |

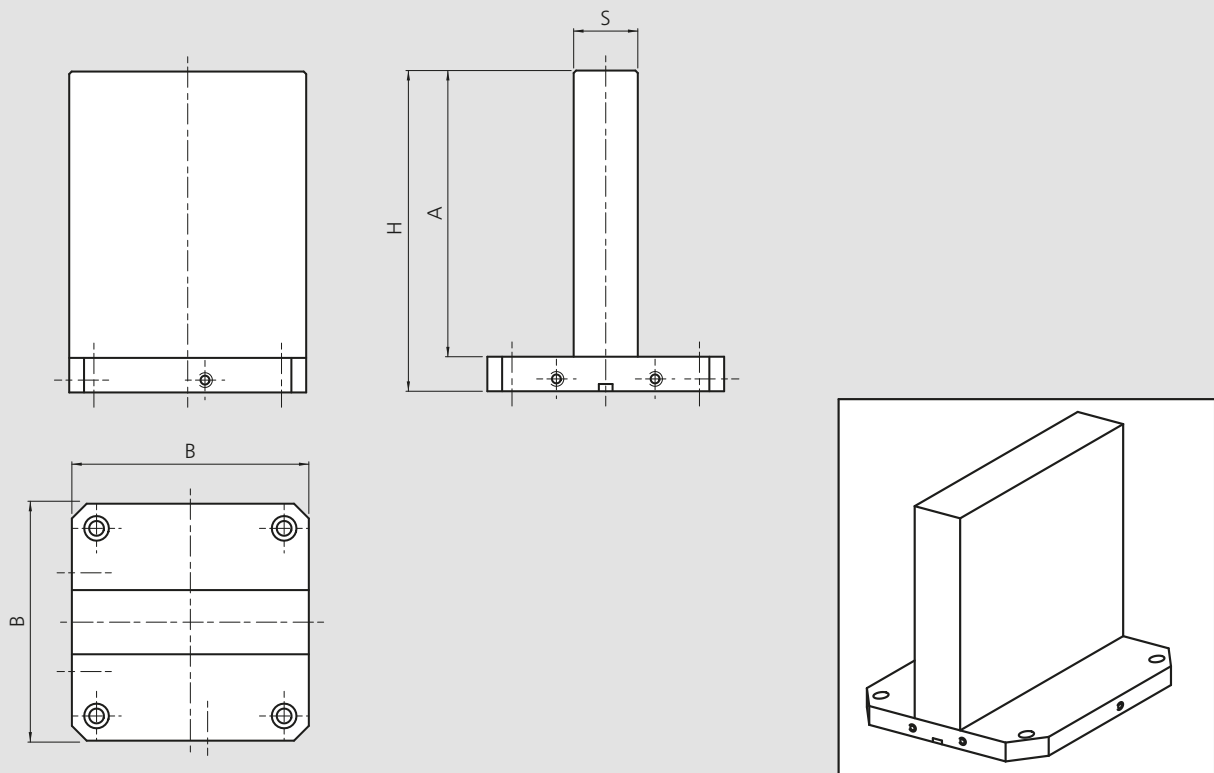
Crankweb – CAST IRON

| Id. No. | A [mm] | B [mm] | H [mm] | Ø D [mm] | M | I [mm] | L [mm] | N [mm] | S [mm] | Weight [kg] |
|----------|--------|--------|--------|----------|-----|--------|--------|--------|--------|-------------|
| 57414035 | 615 | 400 | 660 | 16 | M12 | 50 | 50 | 110 | 150 | 180 |
| 57414055 | 655 | 500 | 700 | 16 | M12 | 50 | 50 | 100 | 150 | 240 |
| 57414075 | 810 | 630 | 860 | 16 | M12 | 50 | 40 | 110 | 200 | 440 |
| 57414100 | 945 | 800 | 1000 | 16 | M12 | 50 | 50 | 100 | 300 | 790 |

Special sizes on request.

- Steel and aluminium
- Made of full metal

Subject to technical changes.



Crankweb – STEEL

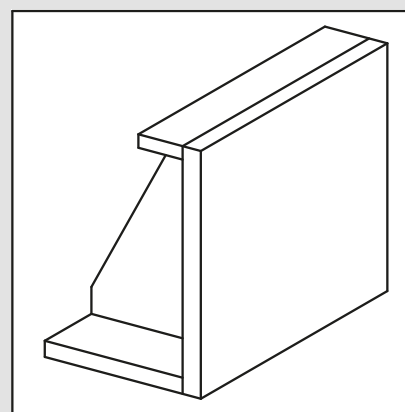
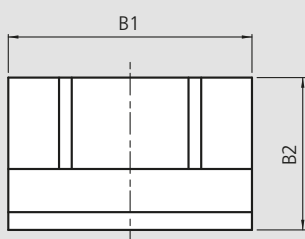
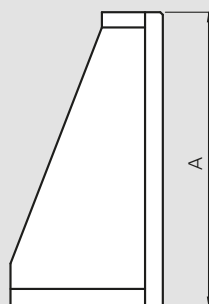
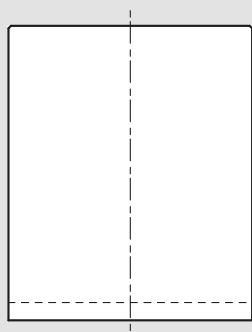
| Id. No. | A [mm] | B [mm] | H [mm] | S [mm] | Weight [kg] |
|----------|-----------|-----------|-----------|-----------|----------------|
| 57008030 | 370 | 320 | 410 | 80 | 107 |
| 57008040 | 480 | 400 | 520 | 100 | 201 |
| 57008050 | 580 | 500 | 620 | 100 | 306 |

Crankweb – ALUMINIUM

| Id. No. | A [mm] | B [mm] | H [mm] | S [mm] | Weight [kg] |
|----------|-----------|-----------|-----------|-----------|----------------|
| 57308020 | 270 | 250 | 310 | 80 | 23 |

Special sizes on request.

- Steel
- Milled



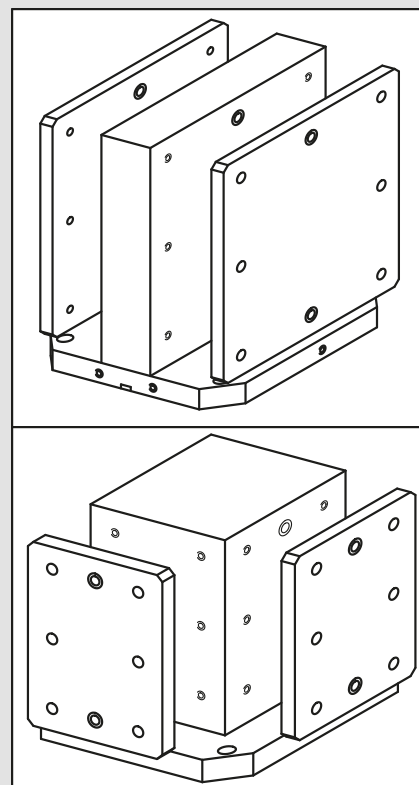
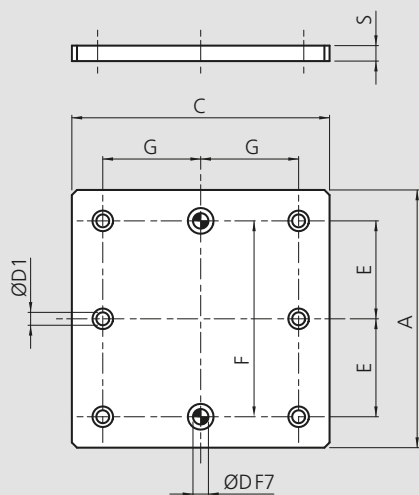
Subject to technical changes.

Angle plates – STEEL

| Id. No. | A [mm] | B1 [mm] | B2 [mm] | Weight [kg] |
|----------|-----------|------------|------------|----------------|
| 57005030 | 360 | 320 | 230 | 66 |
| 57005040 | 460 | 400 | 330 | 130 |
| 57005050 | 510 | 400 | 330 | 139 |
| 57005060 | 510 | 500 | 330 | 182 |
| 57005070 | 560 | 500 | 330 | 196 |
| 57005080 | 560 | 630 | 430 | 305 |
| 57005090 | 660 | 630 | 430 | 343 |

Special sizes on request.

■ Steel grinded



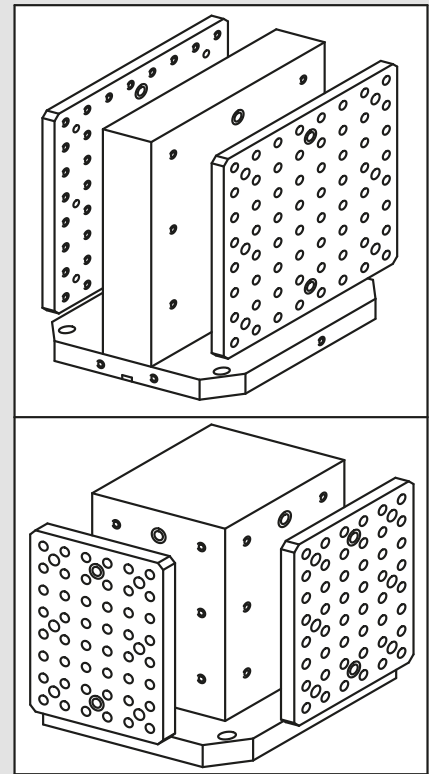
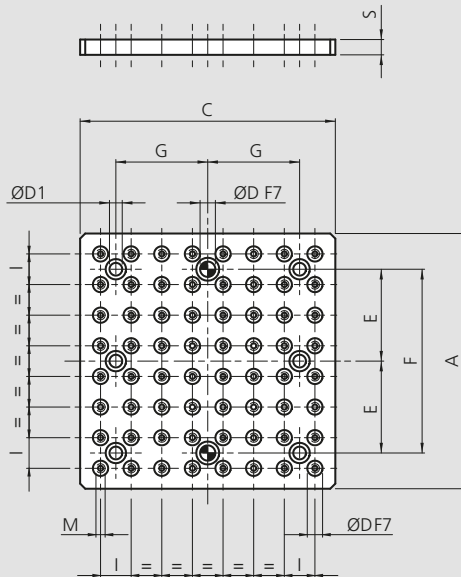
Subject to technical changes.

Plates – STEEL

| Id. No. | C [mm] | A [mm] | Ø D [mm] | Ø D1 [mm] | E [mm] | F [mm] | G [mm] | S [mm] | Weight [kg] |
|----------|-----------|-----------|-------------|--------------|-----------|-----------|-----------|-----------|----------------|
| 57120025 | 160 | 400 | 12 | 11 | 150 | 300 | 40 | 20 | 10 |
| 57120090 | 250 | 600 | 16 | 13 | 250 | 500 | 75 | 25 | 29 |
| 57120130 | 350 | 600 | 16 | 13 | 250 | 500 | 125 | 25 | 41 |
| 57120155 | 400 | 600 | 16 | 13 | 250 | 500 | 150 | 25 | 47 |
| 57120175 | 450 | 800 | 16 | 13 | 350 | 700 | 175 | 25 | 70.5 |
| 57120195 | 500 | 600 | 16 | 13 | 250 | 500 | 200 | 25 | 58.5 |
| 57120210 | 550 | 800 | 16 | 13 | 350 | 700 | 225 | 25 | 86 |
| 57120235 | 630 | 800 | 16 | 13 | 350 | 700 | 250 | 25 | 98.5 |
| 57120250 | 800 | 800 | 16 | 13 | 350 | 700 | 350 | 30 | 149 |

Special sizes on request.

- Steel grinded
- With grid bore holes



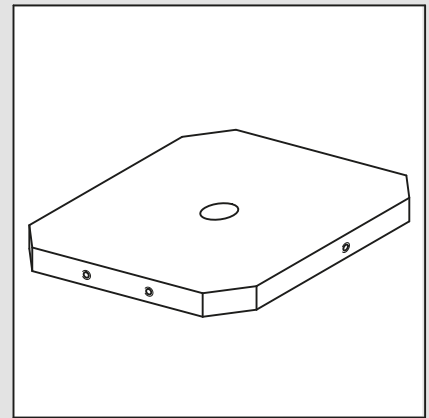
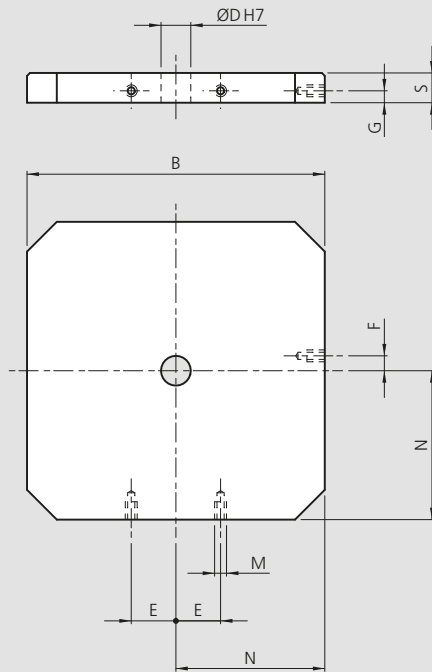
Subject to technical changes.

Grid plate – STEEL

| Id. No. | C [mm] | A [mm] | Ø D [mm] | Ø D1 [mm] | M | E [mm] | F [mm] | G [mm] | I [mm] | S [mm] | Weight [kg] |
|----------|--------|--------|----------|-----------|-----|--------|--------|--------|--------|--------|-------------|
| 57050025 | 160 | 400 | 12 | 11 | M10 | 150 | 300 | 40 | 40 | 30 | 15 |
| 57050090 | 250 | 600 | 16 | 13 | M12 | 250 | 500 | 75 | 50 | 35 | 39 |
| 57050130 | 350 | 600 | 16 | 13 | M12 | 250 | 500 | 125 | 50 | 35 | 55 |
| 57050155 | 400 | 600 | 16 | 13 | M12 | 250 | 500 | 150 | 50 | 35 | 63 |
| 57050175 | 450 | 800 | 16 | 13 | M12 | 350 | 700 | 175 | 50 | 35 | 95 |
| 57050195 | 500 | 600 | 16 | 13 | M12 | 250 | 500 | 200 | 50 | 35 | 78 |
| 57050210 | 550 | 800 | 16 | 13 | M12 | 350 | 700 | 225 | 50 | 35 | 114 |
| 57050235 | 630 | 800 | 16 | 13 | M12 | 350 | 700 | 250 | 50 | 35 | 131 |
| 57050250 | 800 | 800 | 16 | 13 | M12 | 350 | 700 | 350 | 50 | 35 | 166 |

Special sizes on request.

- Steel grinded
- Without grid bore holes



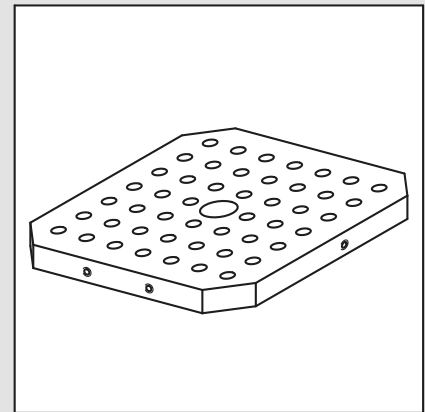
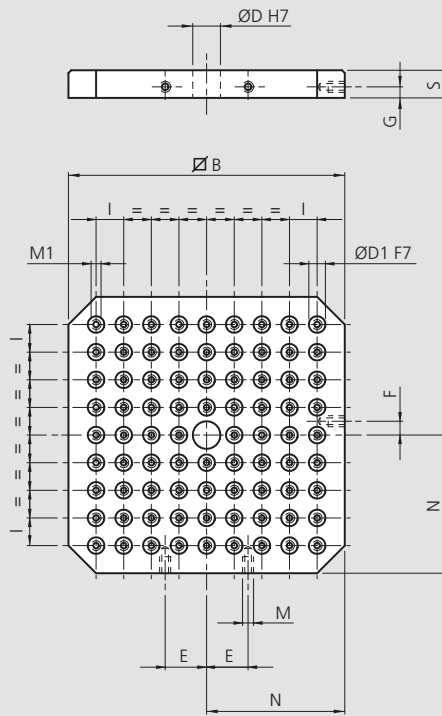
Subject to technical changes.

Subplates – STEEL

| Id. No. | B [mm] | Ø D [mm] | M | N [mm] | E [mm] | F [mm] | G [mm] | S [mm] | Weight [kg] |
|----------|--------|----------|-----|--------|--------|--------|--------|--------|-------------|
| 57130010 | 320 | 30 | - | 160 | - | - | - | 40 | 30 |
| 57130020 | 400 | 50 | M16 | 200 | 55 | 25 | 18 | 40 | 48 |
| 57130030 | 450 | 50 | - | 225 | - | - | - | 40 | 61 |
| 57130040 | 500 | 50 | M16 | 250 | 75 | 25 | 18 | 40 | 76 |
| 57130050 | 550 | 50 | - | 275 | - | - | - | 40 | 93 |
| 57130060 | 630 | 50 | M16 | 315 | 100 | 25 | 18 | 40 | 121 |

Special sizes on request.

- Steel grinded
- With grid bore holes



Subject to technical changes.

Grid plate – STEEL

| Id. No. | B [mm] | Ø D [mm] | M | E [mm] | F [mm] | G [mm] | Ø D1 [mm] | M1 | I [mm] | N [mm] | S [mm] | Weight [kg] |
|----------|--------|----------|-----|--------|--------|--------|-----------|-----|--------|--------|--------|-------------|
| 57140010 | 320 | 30 | - | - | - | - | 16 | M12 | 50 | 160 | 40 | 29 |
| 57140020 | 400 | 50 | M16 | 55 | 25 | 18 | 16 | M12 | 50 | 200 | 40 | 47 |
| 57140030 | 450 | 50 | - | - | - | - | 16 | M12 | 50 | 225 | 40 | 59 |
| 57140040 | 500 | 50 | M16 | 75 | 25 | 18 | 16 | M12 | 50 | 250 | 40 | 74 |
| 57140050 | 550 | 50 | - | - | - | - | 16 | M12 | 50 | 275 | 40 | 90 |
| 57140060 | 630 | 50 | M16 | 100 | 25 | 18 | 16 | M12 | 50 | 315 | 40 | 117 |

Special sizes on request.